



Parallel Robot

D3W-3/1200-340

The standard cycle time is less than 0.4s to meet the demand for maximum speed and economic

Special compression spring design ensure that the service life and easy to dismounting.

Widely used in the food and beverage, pharmaceutical, and healthcare industries of small materials for picking, packaging and handling.

SPECIFICATIONS

Robot Version D3W-3/1200-340

Axes. 3

Maximum Payload 3kg

Maximum Working Diameter 1200 mm

Working Height 340 mm

Mounting Inverted

Manipulator Weight 73.6 kg

Angle Range of Active Arm

Upper Arm 33°

Lower Arm 87°

Repeatability

Position Repeatability ± 0.05 mm

Power Requirements

Supply Voltage 220V/380V/3-Phase 220V/1-Phase 49-61 HZ

Rated Power 6 kW

Transformer rating 10KVA

Environment Requirements

Storage Temperature -10°C~70°C

Working Temperature -10°C~50°C

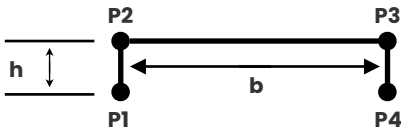
Humidity Range Max. 90%

Protection IP55





LOAD-FREQUENCY

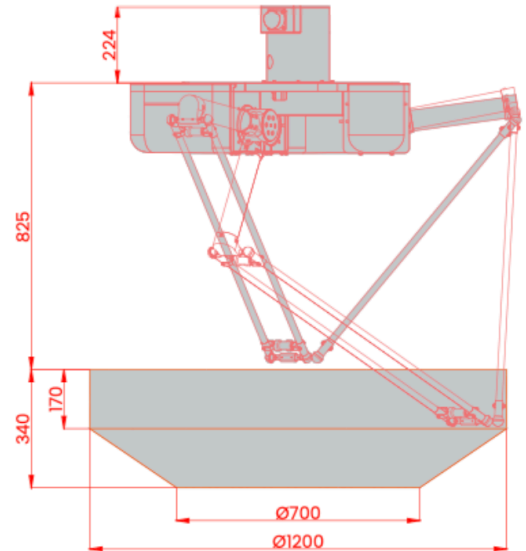


Trajectory 1 h=25,b=305 P1 - P2 - P3 - P4 - P3 - P2 - P1
 Trajectory 2 h=25,b=305 P1 - P2 - P3 - P4 - P3 - P2 - P1
 Trajectory 3 h=25,b=305 P1 - P2 - P3 - P2 - P1
 Trajectory 4 h=25,b=305 P1 - P2 - P3 - P2 - P1

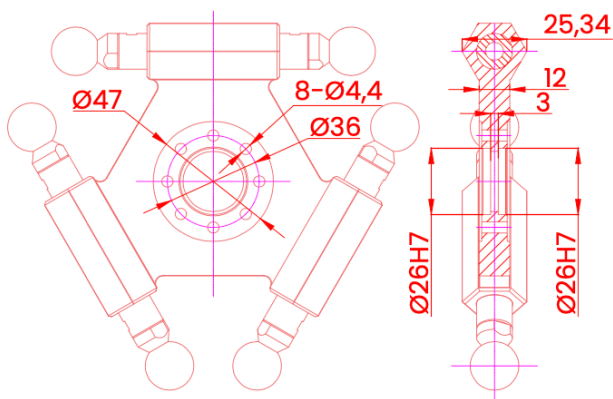
Cycles/min	0.00kg	0.50kg	1.00kg	1.50kg	2.00kg	2.50kg	3.00kg
Trajectory 1	195.00	182.00	175.50	143.00	130.00	117.00	104.00
Trajectory 2	169.00	162.50	123.50	110.50	104.00	84.50	71.50
Trajectory 3	234.00	218.40	210.60	171.60	156.00	140.40	124.80
Trajectory 4	190.97	183.63	139.56	124.87	117.52	95.49	80.80

The cycle times are measured under real conditions, but may vary depending on the actual application.

Dimensions & Range of Motion (mm)



Flange (mm)



Mounting Base (mm)

