



Parallel Robot

D3PM-3/1200-340

The standard cycle time is less than 0.4s to meet the demand for maximum speed and economics.

Rotary servo motor is installed on moving platform to meet the requirements of high-precision rotary operation easily

Widely used in the food and beverage, pharmaceutical, electron, and healthcare industries of small workpieces for handling, sorting, measuring, assembling, inspecting, testing and other applications

SPECIFICATIONS

Robot Version D3PM-3/1200-340

Axes. 3+1

Maximum Payload 3kg

Maximum Working Diameter 1200 mm

Working Height 340 mm

Rotation Angle $\pm 360^\circ$

Mounting Inverted

Manipulator Weight 71.6kg

Angle Range of Active Arm

Upper Arm 33°

Lower Arm 87°

Position Repeatability ± 0.05 mm

Angular Repeatability $\pm 0.05^\circ$

Max. Load Moment of Inertia 31×10^{-4} kg.m²

Power Requirements

Supply Voltage 220V/380V/3-Phase 220V/1-Phase 49-61 HZ

Rated Power 6.1 kW

Transformer rating 10kVA

Environment Requirements

Storage Temperature $-10^\circ\text{C} \sim 70^\circ\text{C}$

Working Temperature $-10^\circ\text{C} \sim 50^\circ\text{C}$

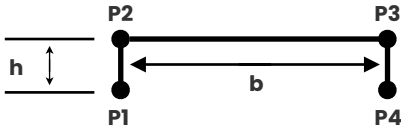
Humidity Range Max. 90%

Protection IP55





LOAD-FREQUENCY

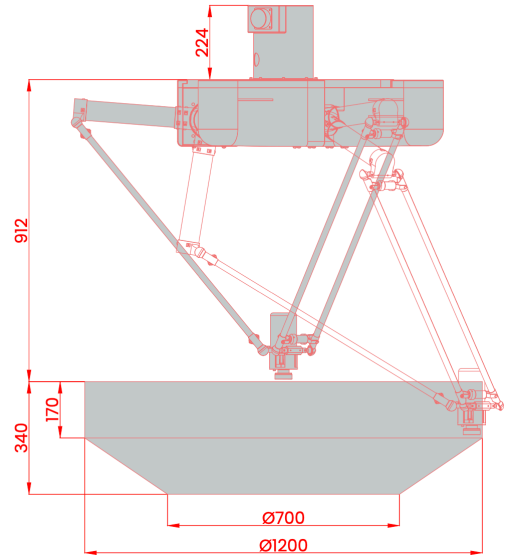


- Trajectory 1 h=25,b=305 P1 - P2 - P3 - P4 - P3 - P2 - P1
- Trajectory 2 h=25,b=305 P1 - P2 - P3 - P4 - P3 - P2 - P1
- Trajectory 3 h=25,b=305 P1 - P2 - P3 - P2 - P1
- Trajectory 4 h=25,b=305 P1 - P2 - P3 - P2 - P1

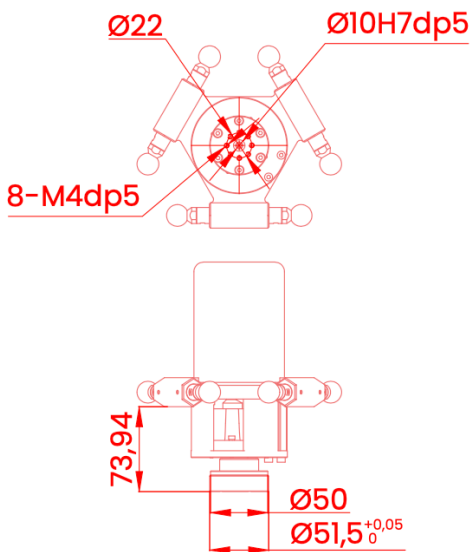
Cycles/min	0.00kg	0.50kg	1.00kg	1.50kg	2.00kg	2.50kg	3.00kg
Trajectory 1	195.00	182.00	175.50	143.00	130.00	117.00	104.00
Trajectory 2	169.00	162.50	123.50	110.50	104.00	84.50	71.50
Trajectory 3	234.00	218.40	210.60	171.60	156.00	140.40	124.80
Trajectory 4	190.97	183.63	139.56	124.87	117.52	95.49	80.80

The cycle times are measured under real conditions, but may vary depending on the actual application.

Dimensions & Range of Motion (mm)



Flange (mm)



Mounting Base (mm)

